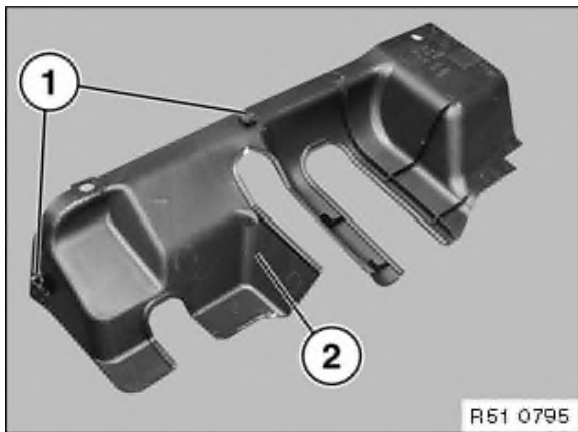


Turn rotary clips (1) through 90° and remove. Pull trim (2) downwards/backwards to remove.

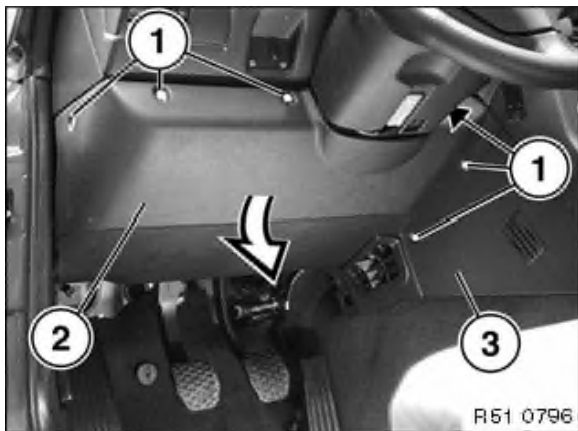
Note:

Do not damage the guides (3).



Installation:

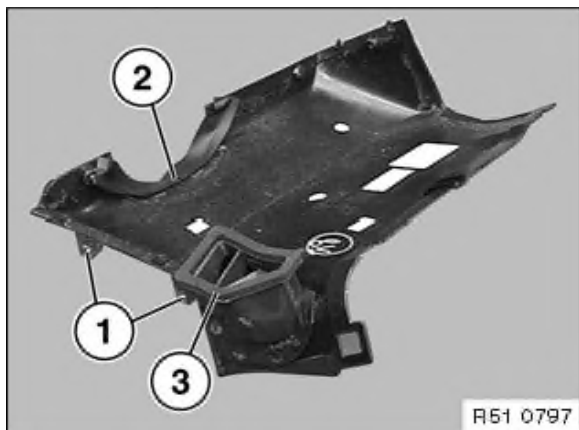
Guides (1) on the trim (2) must not be damaged.



Remove caps (1) and screws. Unscrew trim (2) and pull outwards/downwards to remove from oddments tray (3).

Installation:

Replace defective covers (1).



Installation:

Slide on speed nuts (1). Fit seal (2) on steering column and seal (3) on air outlet (heating) correctly.